

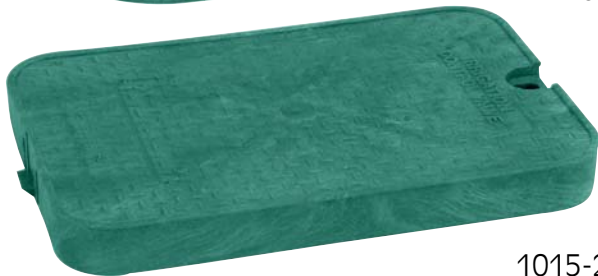
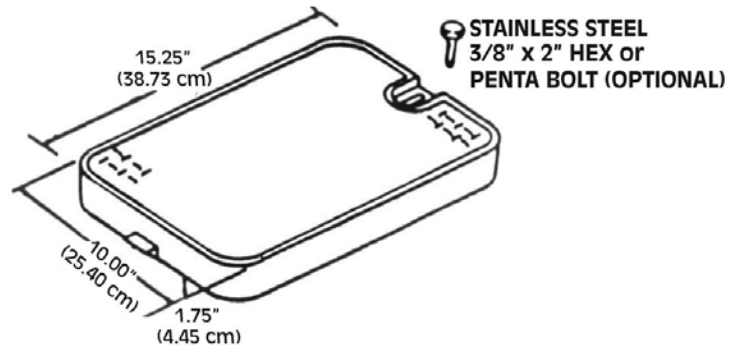
## SERIES 1015-XG (6" High) Top EXTENSION GREEN

■ 48 PER PALLET

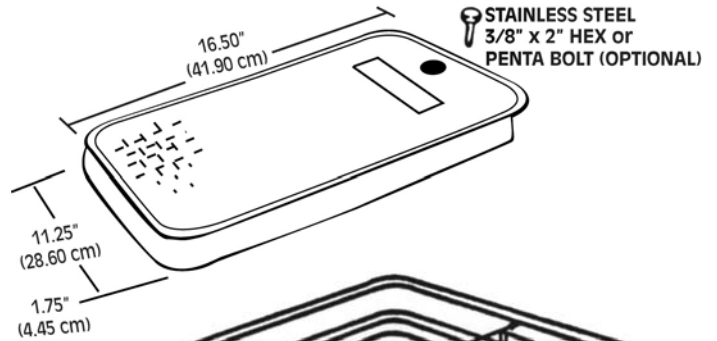
■ BODY & COVER	1015-XG2G	6.42 LBS.	2.91 KG
■ BODY	1015-XG	4.15 LBS.	1.88 KG
■ COVER	1015-2G	2.27 LBS.	1.03 KG
■ "T" COVER	1015-T2G	2.24 LBS.	1.02 KG



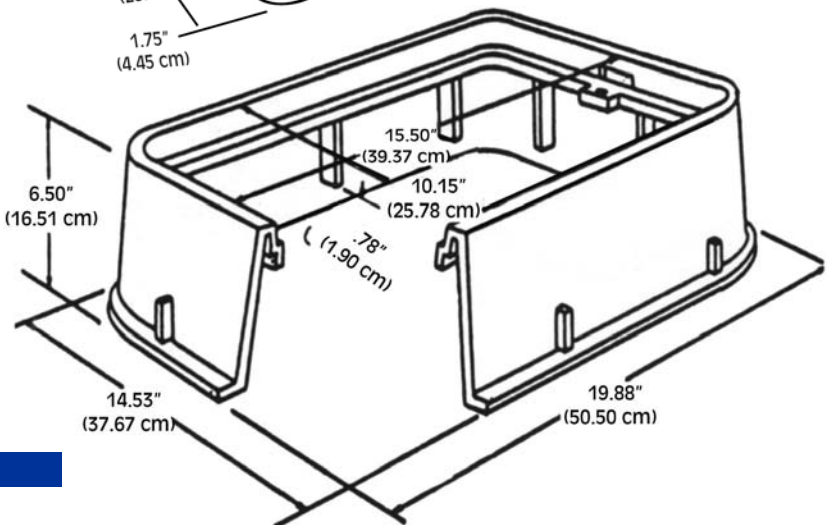
1015-XG



1015-2G



1015T-2G



### SPECIAL FEATURES

- FOR USE WITH SHALLOW PIPE INSTALLATION
- NESTABLE FOR STORAGE OR SHIPPING
- HEAVY DUTY CONSTRUCTION
- MOLDED IN NYLON NUT FOR BOLT
- UV INHIBITORS TO PREVENT DISCOLORATION & CRACKING

**STANDARD MARKINGS AVAILABLE (IRRIGATION CONTROL VALVE (ICV)  
• ELECTRIC • SEWER • WATER • BLANK (NO COVER MARKINGS)**