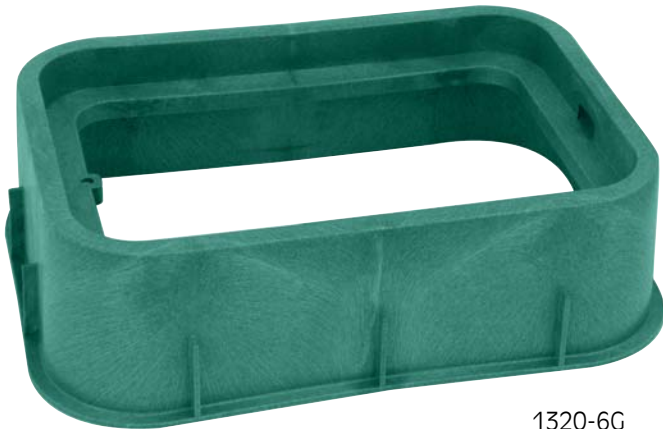


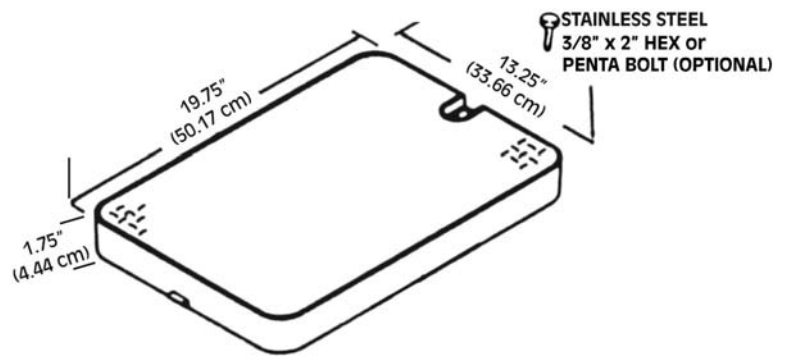
SERIES 1320-6G (6" HIGH) BODY GREEN

- 6" HIGH RECTANGULAR
- 48 PER PALLET
- BODY & COVER
- BODY
- COVER

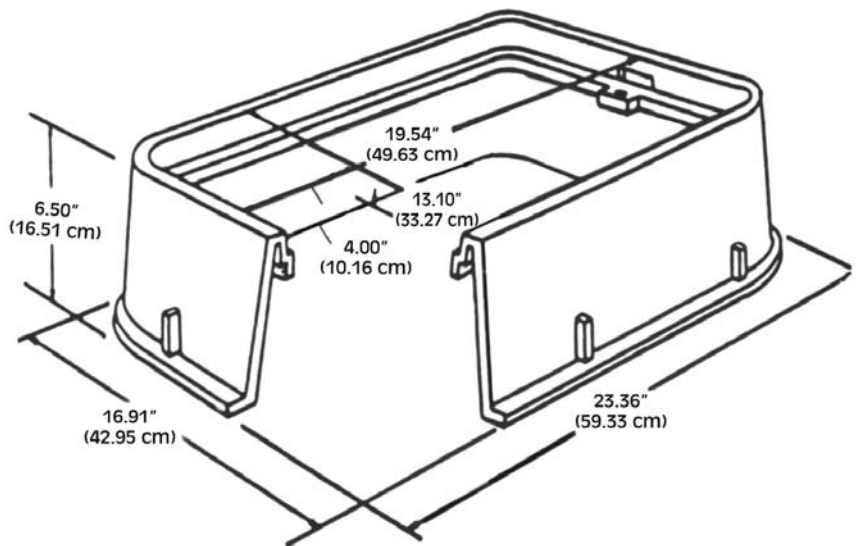
1320-6G2G	8.54 LBS.	3.87 KG
1320-6G	4.99 LBS.	2.27 KG
1320-2G	3.55 LBS.	1.60 KG



1320-6G



1320-2G



**SPECIAL
FEATURES**

- FOR USE WITH SHALLOW PIPE INSTALLATION
- NESTABLE FOR STORAGE OR SHIPPING
- HEAVY DUTY CONSTRUCTION
- MOLDED IN NYLON NUT FOR BOLT

STANDARD MARKINGS AVAILABLE (IRRIGATION CONTROL VALVE • WATER (SOLID OR METER READER) • SEWER • ELECTRIC (GREEN) • CATV • TELEPHONE • BLANK)