

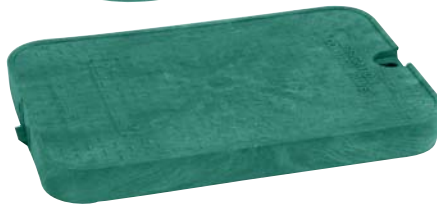
## SERIES 1015 (12" HIGH) HEAVY DUTY VALVE BOX GREEN

### 60 PER PALLET

■ BODY WITH STD. DROP-IN COVER	1015-1G2G	10.00 LBS.	4.53 KG
■ BODY WITH "T" COVER	1015T-1G2G	9.97 LBS.	4.52 KG
■ BODY W/METER READER COVER	1015-1G3G	10.13 LBS.	4.49 KG
■ BODY W/CAPTIVE HINGED COVER	1015-1G4G	10.50 LBS.	4.76 KG
■ BODY	1015-1G	7.73 LBS.	3.50 KG
■ 1. STD. DROP-IN COVER	1015-2G	2.27 LBS.	1.03 KG
■ 2. "T" COVER	1015T-2G	2.24 LBS.	1.02 KG
■ 3. COVER WITH METER DOOR	1015-3G	2.18 LBS.	.99 KG
■ 4. CAPTIVE HINGED COVER	1015-4G	2.77 LBS.	1.26 KG



1015-1G  
BODY



1.  
1015-2G  
STD DROP-IN  
COVER



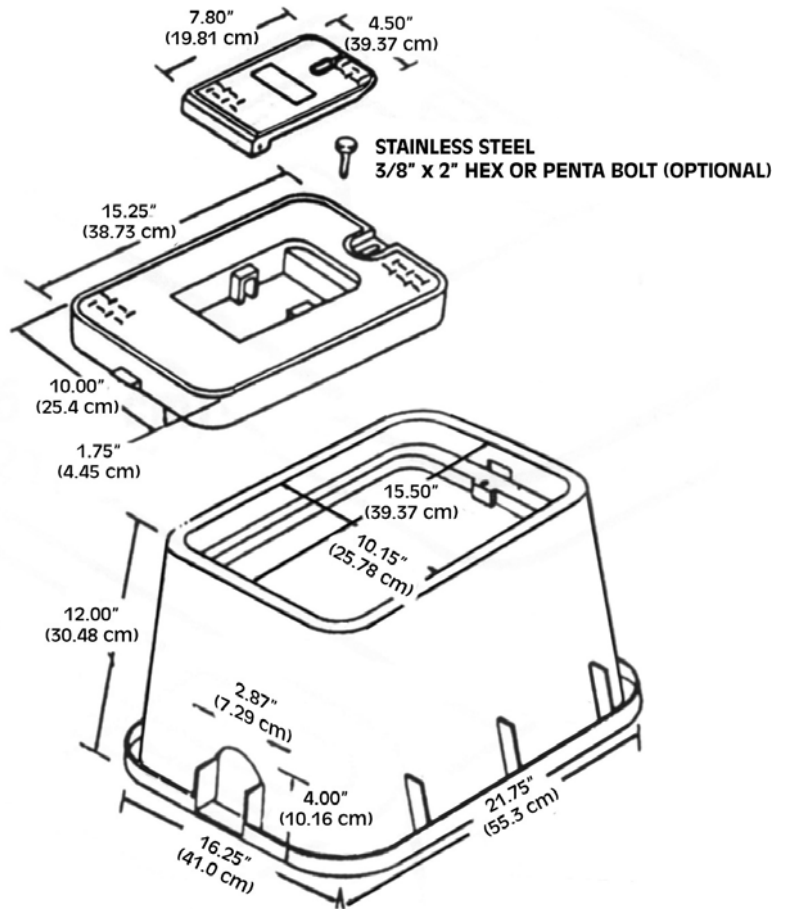
2.  
1015T-2G



3.  
1015-3G  
COVER  
WITH  
METER  
DOOR



4.  
1015-4G



### SPECIAL FEATURES

- HEAVY DUTY CONSTRUCTION
- MOLDED IN NYLON NUT FOR BOLT
- UV INHIBITOR TO PREVENT DISCOLORING & CRACKING
- NESTABLE FOR STORAGE OR SHIPPING

### OTHER STOCK COLORS AVAILABLE

TO SEE COLOR  
CLICK ON COLOR

- BLACK
- GRAY
- LAVENDER
- TAN

STANDARD MARKINGS AVAILABLE (IRRIGATION CONTROL VALVE • WATER (SOLID OR METER DOOR) • SEWER • ELECTRIC • RECLAIMED WATER • CATV • TELEPHONE • BLANK)