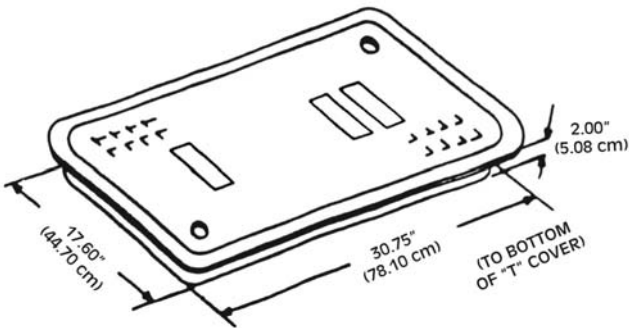
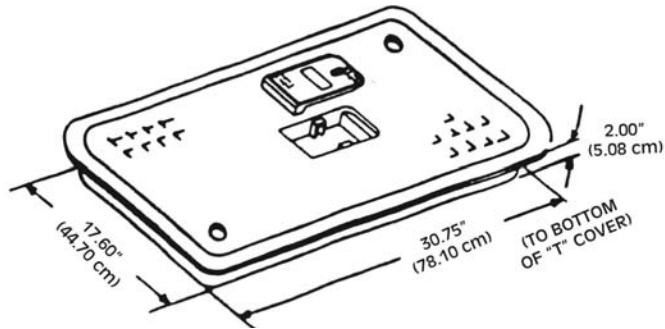
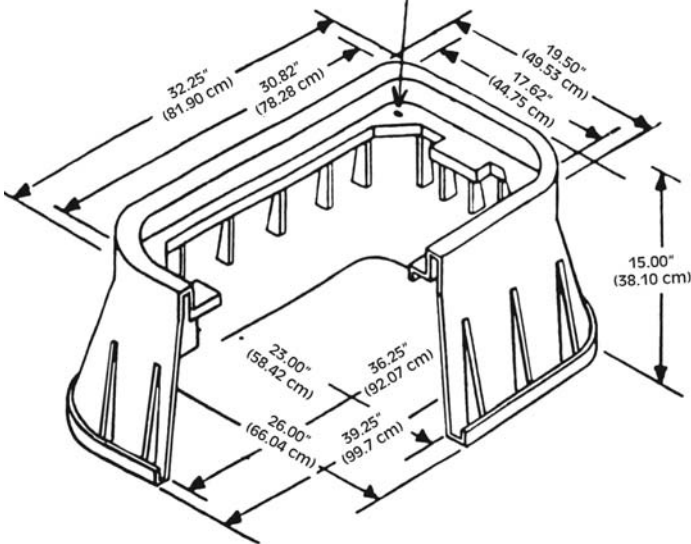


SERIES 1730 (15" HIGH) UTILITY BOX GREEN

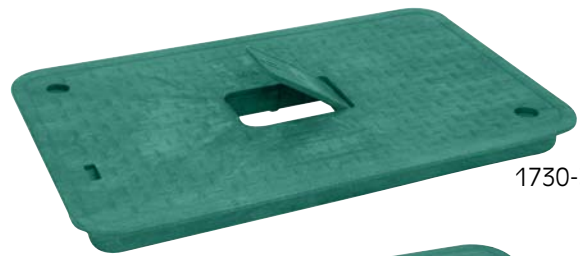
■ 16 PER PALLET			
■ BODY & COVER	1730-15P2P	31.00 LBS.	14.06 KG
■ BODY WITH METER READER COVER	1730-15P3P	31.30 LBS.	14.20 KG
■ BODY	1730-15P	18.00 LBS.	8.16 KG
■ COVER	1730-2P	13.00 LBS.	5.90 KG
■ COVER WITH METER DOOR	1730-3P	13.30 LBS.	6.04 KG



BOLTS - 3/8" x 2 1/2" STAINLESS STEEL
DIAGONAL BOLT DOWN PATTERN



■ FOR USE IN NON-VEHICLE TRAFFIC AREA



1730-3P



1730-2P



1730-15P

SPECIAL FEATURES

- UV INHIBITOR ADDED TO PREVENT DISCOLORING & CRACKING
- HEAVY DUTY COMMERCIAL CONSTRUCTION
- CAST IRON OR POLY METER READER COVER
- DIAGONAL BOLT DOWN PATTERN
- MOLDED IN NYLON NUT FOR BOLT

OTHER STOCK COLORS AVAILABLE
TO SEE COLOR
CLICK ON COLOR

- BLACK
- GRAY
- LAVENDER

STANDARD MARKINGS AVAILABLE (IRRIGATION CONTROL VALVE

• WATER (SOLID OR WITH METER READER) • ELECTRIC • BLANK • TELEPHONE • SEWER • CATV)