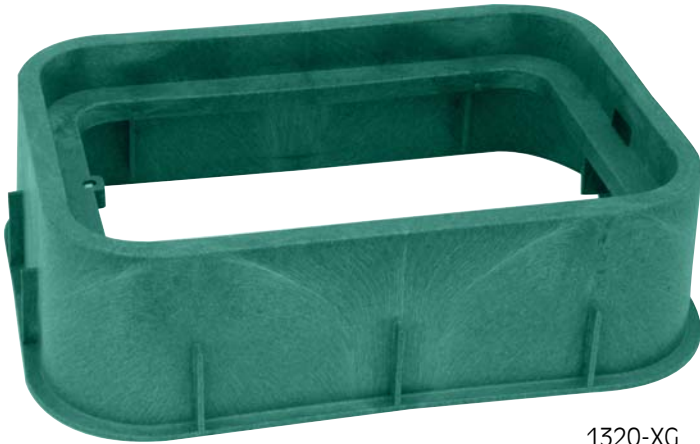
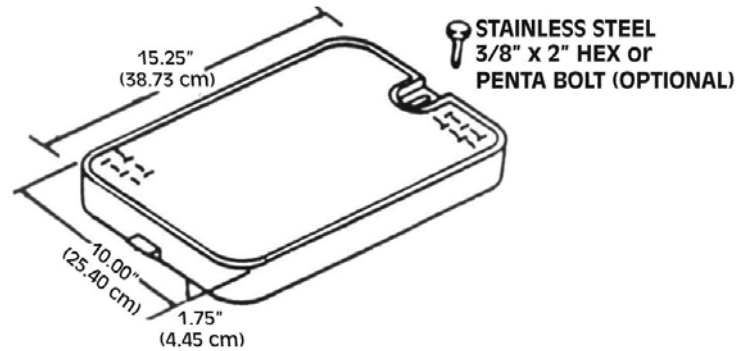


SERIES 1320-XG (6" HIGH) EXTENSION BODY GREEN

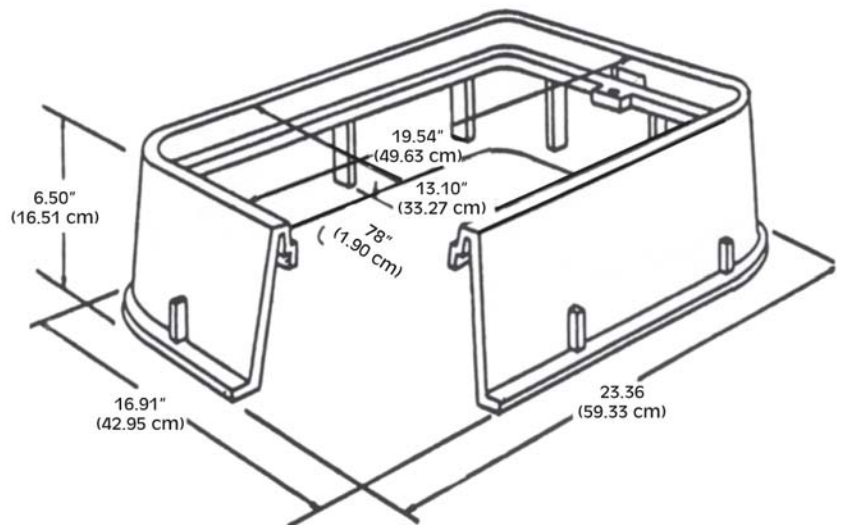
■ 32 PER PALLET			
■ BODY & COVER	1320-XG2G	8.55 LBS.	3.88 KG
■ BODY	1320-XG	5.00 LBS.	2.28 KG
■ COVER	1320-2G	3.55 LBS.	1.60 KG



1320-XG



1320-2G STD



■ FOR USE IN NON-VEHICLE TRAFFIC AREA

SPECIAL FEATURES

- 6" EXTENSION FOR 1320 BODY
- HEAVY DUTY CONSTRUCTION
- U.V. INHIBITOR TO PREVENT DISCOLORATION & CRACKING
- MOLDED IN NYLON NUT FOR BOLT

STANDARD MARKING AVAILABLE (IRRIGATION CONTROL VALVE • RECLAIMED WATER (GREEN)
• WATER (SOLID OR METER READER) • SEWER • ELECTRIC • CATV • TELEPHONE • BLANK)